

# LATTICE™



## HIGH-ENERGY BREAKWATER UNITS

Natrx Lattice delivers durable, modular shoreline and riverine protection using minimal material and light industrial equipment. Its design slows water, stabilizes soils and adds extensive habitat surface for ecological growth. Natrx ExoForms™ are proudly made in Louisiana, USA.

### LATTICE-24™ AND LATTICE-33™

Best suited for high energy sites and asset-protection projects.

#### KEY APPLICATIONS

- High wave energy environments
- Riverine environments, artificial reefs or any site requiring asset protection
- Versatile marine and terrestrial applications
- Purpose-built voids that can be tailored for desired water flow or habitat outcomes
- Ecological enhancement for breakwaters, jetties and seawalls

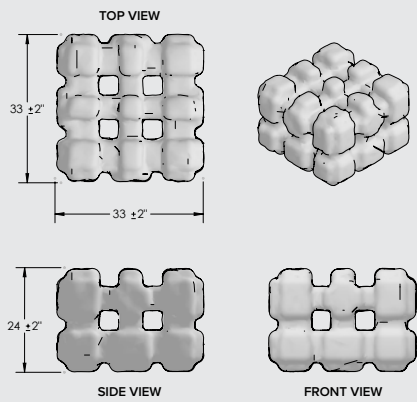
#### KEY BENEFITS

- Natrx ExoForm solutions use up to 90% less material compared to rock solutions
- Reduced bottom impact by up to 80%
- Less bearing pressure on weak soils
- Straightforward planning and permitting
- Modularity allows for easy installation and adjustments
- Naturalistic appearance blends in seamlessly with the surroundings
- Up to 50% increase in surface area compared with breakwaters and seawalls promotes biodiversity

#### INSTALLATION

Lattice offers wide-ranging benefits, including the ease of planning, installation and ongoing performance. In fact, they require significantly lighter installation equipment compared to traditional rock solutions. Deployment is possible in shorelines, rivers, asset protection zones and remote or environmentally constrained sites.

### LATTICE-24™



**Dimensions:**  
33"L x 33"W x 24"T

**Weight:** 1,200 lbs

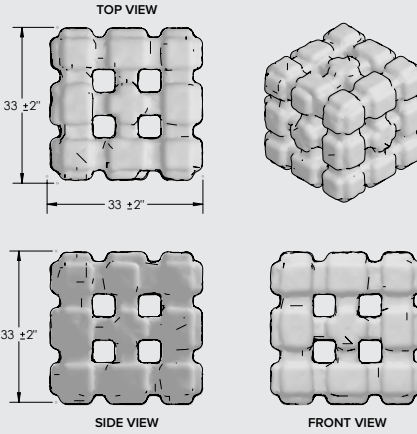
**Benthic Surface Area:**  
49.2 ft<sup>2</sup>

**Bearing Area:** 7.6ft<sup>2</sup>

**Bearing Pressure:**  
158.7 lb/ft<sup>2</sup>

**Material:** Concrete (Portland-Limestone Cement Type II ASTM C595, Mason Sand ASTM C144)

### LATTICE-33™



**Dimensions:**  
33"L x 33"W x 33"T

**Weight:** 2,000 lbs

**Benthic Surface Area:**  
76.1 ft<sup>2</sup>

**Bearing Area:** 7.6 ft<sup>2</sup>

**Bearing Pressure:**  
264.5 lb/ft<sup>2</sup>

**Material:** Concrete (Portland-Limestone Cement Type II ASTM C595, Mason Sand ASTM C144)

*Proudly Manufactured in Louisiana, USA*

For more information regarding Shoreline Protection, contact your local expert at [info@ferguson.com](mailto:info@ferguson.com) or visit us at [fergusonwaterworks.com](http://fergusonwaterworks.com).